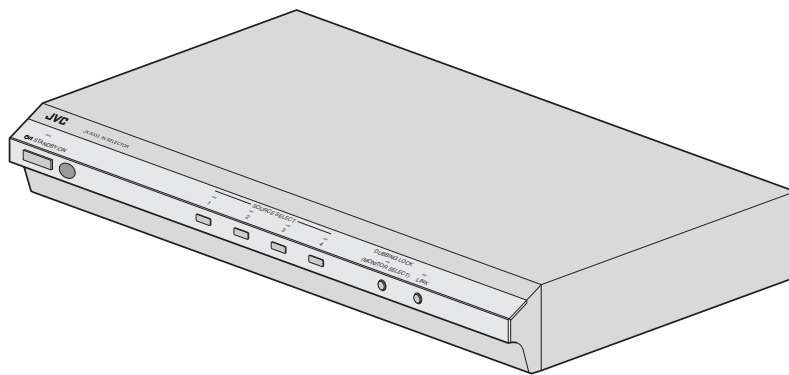


JVC

AV SELECTOR
SELECTEUR AV
SELECTOR AV

JX-S333



INSTRUCTIONS MANUEL D'INSTRUCTIONS MANUAL DE INSTRUCCIONES

For Customer Use:

Enter below the Serial No. which is located on the rear or bottom of cabinet. Retain this information for future reference.

Model No. **JX-S333**

Serial No. _____

LNT0042-001A

ENGLISH

FRANÇAIS

ESPAÑOL

INTRODUCTION

BASIC OPERATION

ADVANCED OPERATION

OTHERS

Safety Information

FCC INFORMATION

This device complies with Part 15 of the FCC Rules. Operation is subject to the following two conditions:

- (1) This device may not cause harmful interference.
- (2) This device must accept any interference received, including interference that may cause undesired operation.

Note: This equipment has been tested and found to comply with the limits for a Class B digital device, pursuant to Part 15 of the FCC rules. These limits are designed to provide reasonable protection against harmful interference in a residential installation. This equipment generates, uses and can radiate radio frequency energy and, if not installed and used in accordance with the instructions, it may cause harmful interference to radio communications. However, there is no guarantee that interference will not occur in a particular installation. If this equipment does cause harmful interference to radio or television reception, which can be determined by turning the equipment off and on, the user is encouraged to try to correct the interference by one or more of the following measures:

- Reorient or relocate the receiving antenna.
- Increase the separation between the equipment and receiver.
- Connect the equipment into an outlet on a circuit different from that to which the receiver is connected.
- Consult the dealer or an experienced radio/TV technician for help.

CAUTION —Changes or modifications not approved by JVC could void user's authority to operate the equipment.

Contact

Address: JVC AMERICAS CORP.,
1700 VALLEY ROAD, WAYNE, N.J. 07470
Telephone: (973) 315-5000

Thank you for purchasing this JVC product. Before you begin operating this unit, please read the instructions carefully to be sure you get the best possible performance. If you have any questions, consult your JVC dealer.

CAUTION

To reduce the risk of electrical shocks, fire, etc.:

1. Do not remove screws, covers or cabinet.
2. Do not expose this appliance to rain or moisture.

* It may be unlawful to record or play back copyrighted material without the consent of the copyright owner.

WARNING: TO REDUCE THE RISK OF FIRE OR ELECTRIC SHOCK, DO NOT EXPOSE THIS APPLIANCE TO RAIN OR MOISTURE.

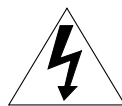


CAUTION

RISK OF ELECTRIC SHOCK
DO NOT OPEN



CAUTION : TO REDUCE THE RISK OF ELECTRIC SHOCK, DO NOT REMOVE COVER (OR BACK). NO USER SERVICEABLE PARTS INSIDE. REFER SERVICING TO QUALIFIED SERVICE PERSONNEL.



The lightning flash with arrowhead symbol, within an equilateral triangle, is intended to alert the user to the presence of uninsulated "dangerous voltage" within the product's enclosure that may be of sufficient magnitude to constitute a risk of electric shock to persons.



The exclamation point within an equilateral triangle is intended to alert the user to the presence of important operating and maintenance (servicing) instructions in the literature accompanying the appliance.

INFORMATION (for CANADA)

This Class B digital apparatus meets all requirements of the Canadian Interference-causing Equipment Regulations.

RENSEIGNEMENT (Pour CANADA)

Cet appareil numérique de la classe B respecte toutes les exigences du Règlement sur le matériel brouilleur du Canada.

IMPORTANT

1. Installation

- Select a place which is level, dry and neither too hot nor too cold (between -5°C and 40°C / 23°F and 104°F).
- Keep away from direct sunlight.
- Do not put it too close to a heater.

2. Power cord

- Do not handle the power cord with wet hands!
- Do not bend the power cord sharply.
- When unplugging the power cord, do not pull on the cord, Hold the plug itself and remove it from the AC outlet.

3. Malfunctions, etc.

- There are no user serviceable parts inside. If anything goes wrong, unplug the power cord and consult your dealer.
- Do not insert any metallic object.
- Do not allow water to get inside.

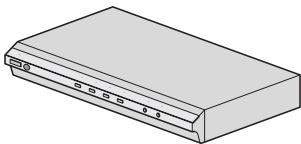
Contents

INTRODUCTION	Safety Information	2
	Check the contents	3
	Major Features	4
	System Configuration Example	5
	Connectors, Controls and Indicators	6
Using the Remote Control Unit	9	
BASIC OPERATION	Watching Video	10
	Dubbing (Multi-dubbing)	12
	Watching a Video Program While Recording Another One (Dubbing Lock) ..	14
	Centralized Management of Your Home Theater System	16
ADVANCED OPERATION	Useful Tips	18
	S-VIDEO input/output connectors	18
	Component connectors	18
	S-video to component video conversion	18
	DUBBING LOCK function	19
	LINK function	20
OTHERS	Block Diagram	21
	Troubleshooting	22
	Specifications	24
	Glossary / Index	25

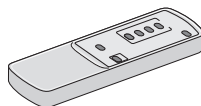
Check the contents

Check the contents of the carton your JX-S333 came in. The following items should be found in the carton box:

This unit (JX-S333)

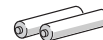


Remote control unit (RM-AJ333)

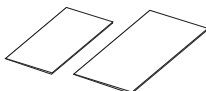


Battery (AA) x 2

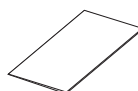
(for operation testing)



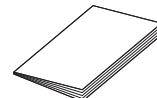
Registration card and Safety guide



Warranty card

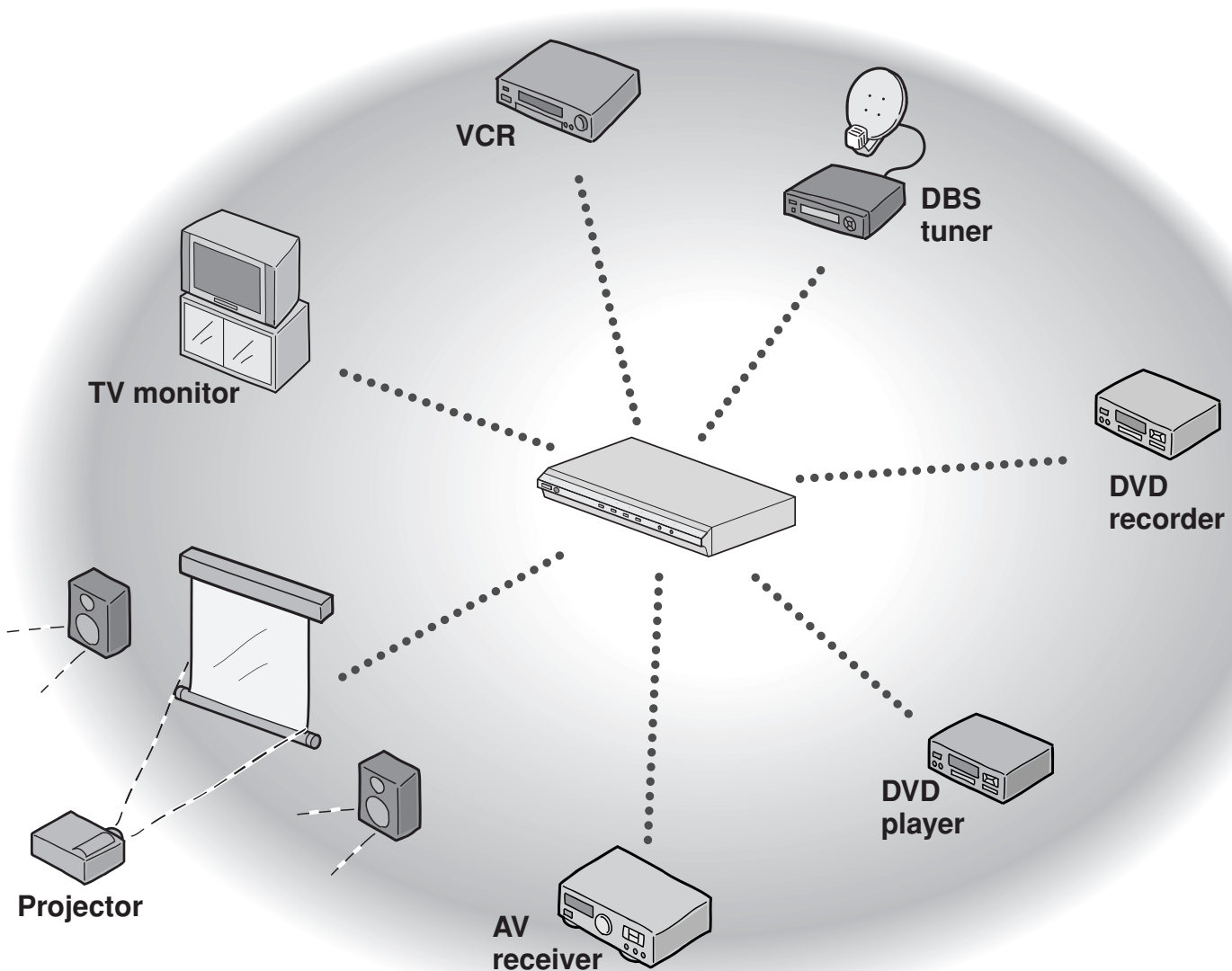


Instruction Book (this book)



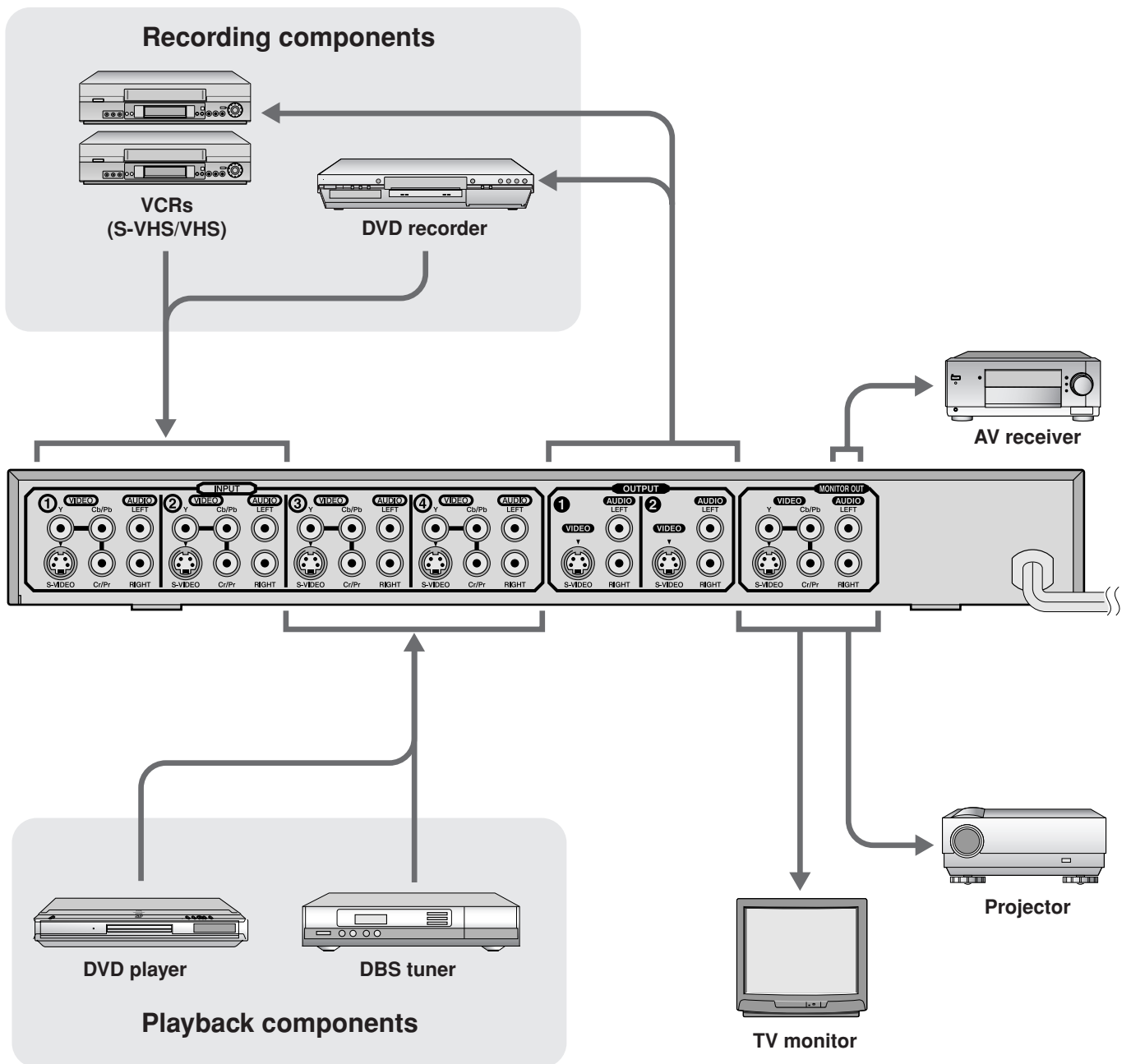
Major Features

- Video signal converter (S-video to component video signals) is incorporated.
- Various input/output connectors—four input connectors (S-video/component video), two output connectors (S-video), and one monitor output (S-video/component video) give you the centralized management of your home theater system.
- A dubbing lock function permits the monitoring of a source while dubbing another source.
- Signal transmission with little signal deterioration for high picture quality. (The component video circuitry is compatible with 30 MHz.)
- Automatic Power On/Off, linked with incoming S-video signals from the playback components.



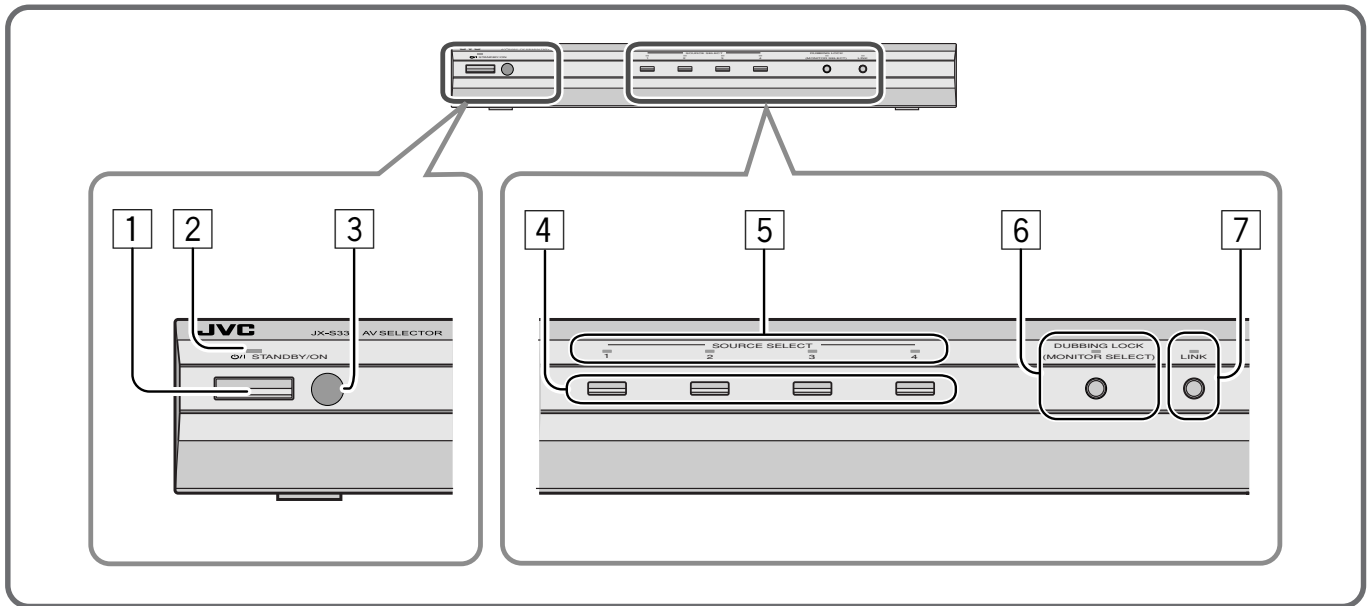
System Configuration Example

The AV Selector Expands the Dimensions of the AV World.



Connectors, Controls and Indicators

Front View



1 **⏻/I STANDBY/ON button**

Press to turn the power ON or OFF (in standby mode).

2 **⏻/I STANDBY/ON indicator**

This indicator lights in green when the power is ON, while it lights in red when the power is OFF (in standby mode).



If the power has been switched OFF to the Standby mode and then ON again, it can be operated using the same settings as when the power was switched OFF.

3 **Remote sensor window**

Aim at this when operating from the remote control unit.

4 **SOURCE SELECT buttons** (☞ p. 11, 13, 15, 17)

Press to select an input component.

5 **SOURCE SELECT indicators**

(☞ p. 11, 13, 15, 17)

The indicator of the input component selected by the SOURCE SELECT button lights in red.

6 **DUBBING LOCK button/indicator** (☞ p. 15, 17) **(MONITOR SELECT)**

Press to fix the output signals through the OUTPUT ① and ② connectors. This can prevent accidental or erroneous operation during dubbing. The indicator lights in red when DUBBING LOCK is activated.

- When one of the SOURCE SELECT buttons is pressed while DUBBING LOCK is activated, only the video/audio output through the MONITOR OUT is changed, but the video/audio output through the OUTPUT ① and ② connectors remains unchanged so that you can keep dubbing the signals through these connectors.

7 **LINK button/indicator** (☞ p. 20)

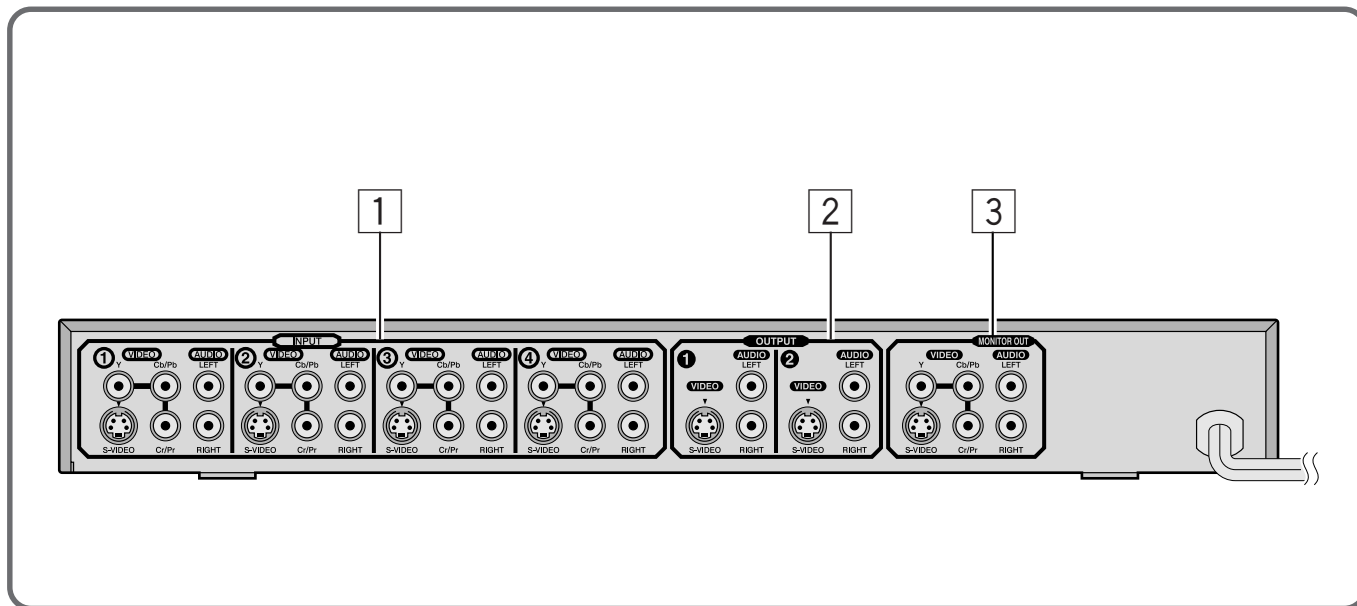
Press to turn the LINK function ON or OFF.

When this function is ON, the indicator lights in red. The unit power automatically turns on or off by detecting the incoming S-video signals from the playback components.



This function is only available with the playback components equipped with S-video output connectors.

Rear view



1 INPUT connectors (INPUT 1, 2, 3, 4)

Equipped with S-VIDEO/component video (Y, Cb/Pb, Cr/Pr)/AUDIO.

Connect to the output connectors of the playback components (up to four components).



Incoming S-video signals can be converted and emitted through the component video output of the MONITOR OUT connectors.

3 MONITOR OUT connectors

Equipped with S-VIDEO/component video (Y, Cb/Pb, Cr/Pr)/AUDIO.

Connect to the input connectors of the TV monitor.



S-video signals through the input connectors are converted and emitted through component video output of the MONITOR OUT connectors.

2 OUTPUT connectors (OUTPUT 1, 2)

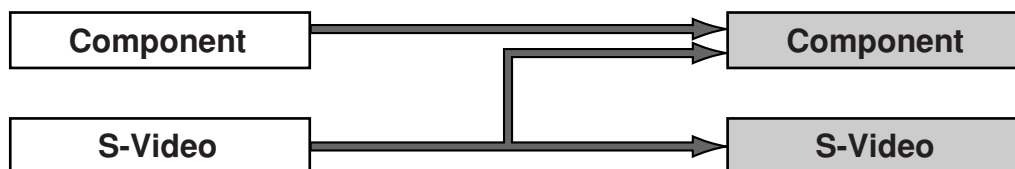
Equipped with S-VIDEO/AUDIO.

Connect to the input connectors of the recording component (up to two components).

Video input/output signals

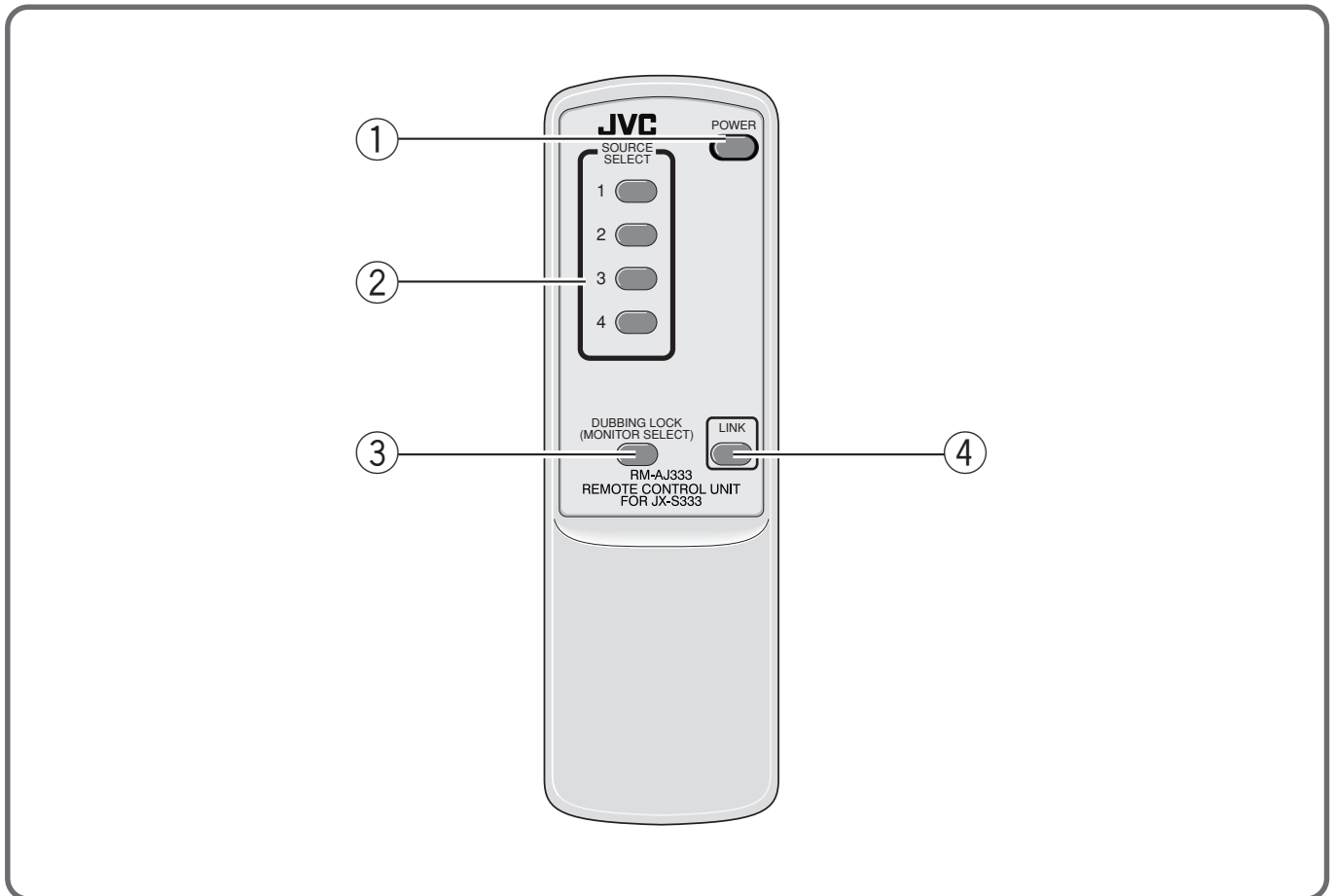
Video signals incoming from the INPUT connectors are emitted through the MONITOR OUT connectors as follows.

- Incoming S-video signals are emitted through both S-VIDEO jacks and the component video jacks.
- Incoming component signals are only emitted through the component video jacks.



Connectors Controls, and Indicators (Remote Control Unit)

Remote Control Unit



① POWER button

Press to turn the power ON or OFF (in standby mode).

② SOURCE SELECT buttons (p. 11, 13, 15, 17)

Press to select an input component.

③ DUBBING LOCK button (p. 15, 17)

(MONITOR SELECT)

Press to fix the output signals through the OUTPUT ① and ② connectors. This can prevent accidental or erroneous operation during dubbing. The DUBBING LOCK indicator on the main unit lights in red when DUBBING LOCK is activated.

- When one of the SOURCE SELECT buttons is pressed while DUBBING LOCK is activated, only the video/audio output through the MONITOR OUT is changed, but the video/audio output through the OUTPUT ① and ② connectors remains unchanged so that you can keep dubbing the signals through these connectors.

④ LINK button (p. 20)

Press to turn the LINK function ON or OFF.

When this function is ON, the LINK indicator on the main unit lights in red. The unit power automatically turns on or off by detecting the incoming S-video signals from the playback components.

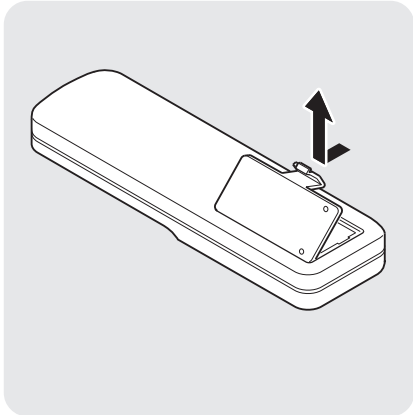


This function is only available with the playback components equipped with S-VIDEO output connectors.

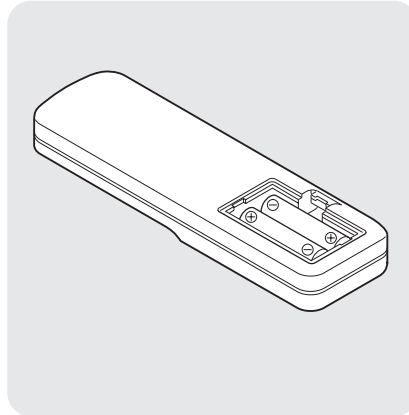
Using the Remote Control Unit

Battery Installation

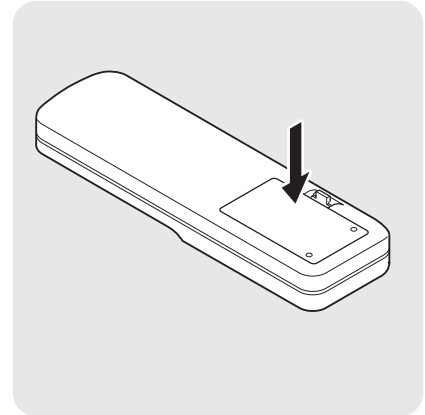
Press the tab to remove the cover of the battery compartment.



Insert two "AA" (R6, UM-3) dry-cell batteries.



Replace the cover.



Notes:

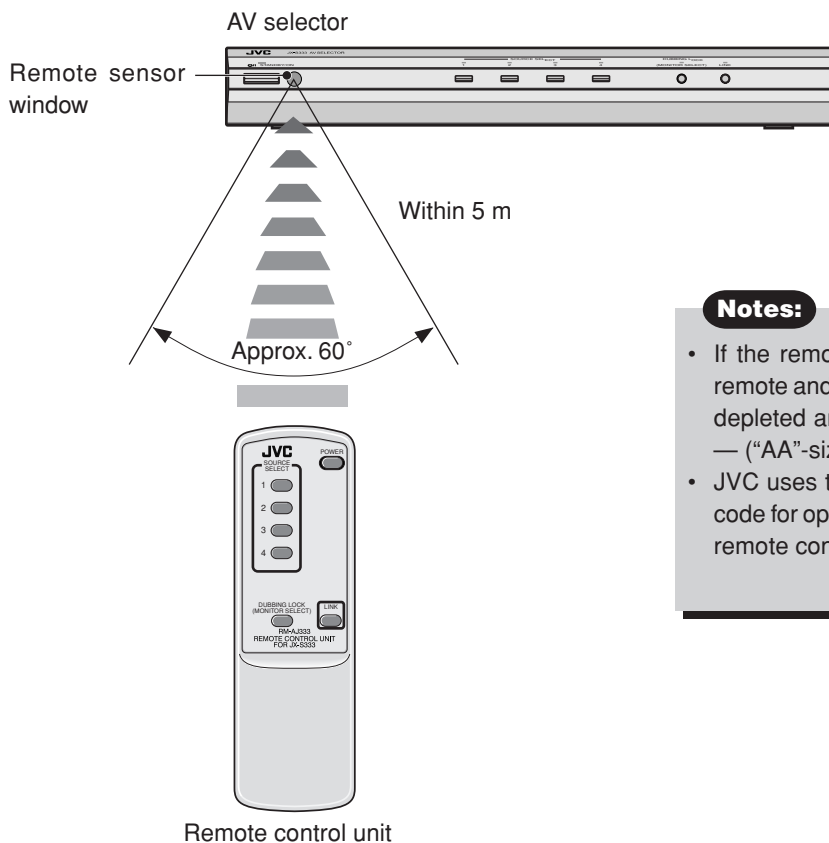
Misuse of batteries could result in leakage. This could cause a fire or explosion.

To prevent this, pay special attention to the following points:

Battery Precautions

1. Be sure to insert the batteries with correct positive "+" and negative "-" polarities.
2. Do not heat, disassemble or short-circuit batteries and never dispose of batteries by throwing them in a fire.
3. Do not use new and old batteries together.
 - Also read the caution displayed on the battery when in use.
 - *The provided batteries are for checking operation only.

Transmitted beam effective area



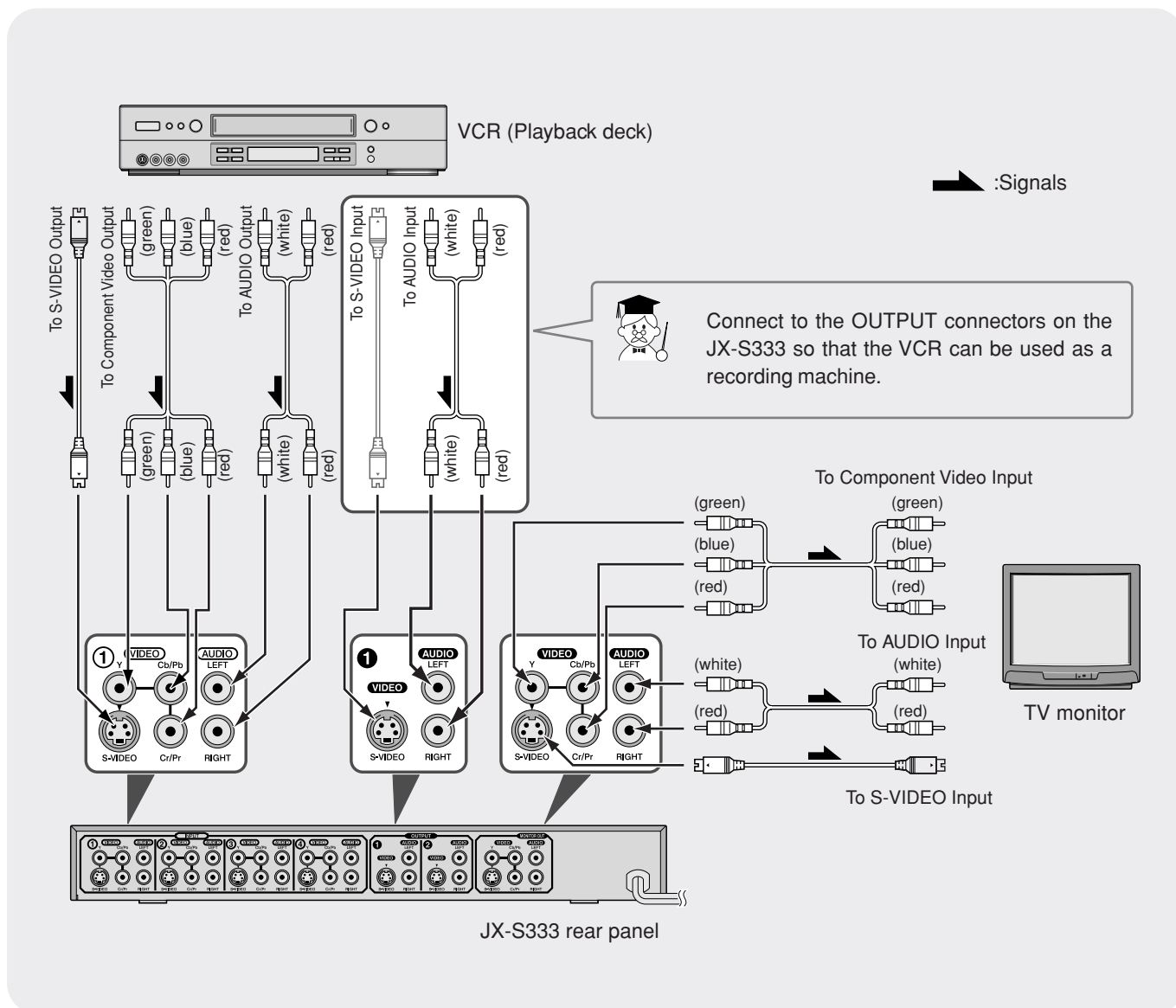
Notes:

- If the remote controllable distance between the remote and main unit decreases, the batteries are depleted and should be replaced with new ones — ("AA"-size (R6/UM-3) batteries).
- JVC uses two types of the remote control signal code for operating the AV selector—A and B. This remote control unit can transmit B code signals.

Watching Video

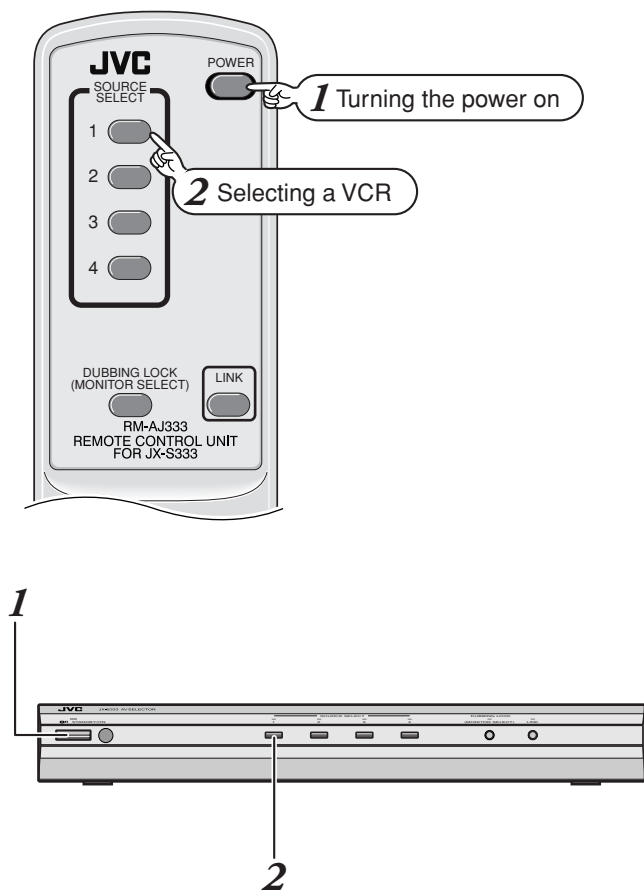
Do not connect the AC power cord until all other connections have been made.
Connect a VCR to INPUT ① of the JX-S333 and watch the video played back on the VCR.

- This shows an example of several possible connections. Also refer to the instruction books of the other components you are using for operation and connection details.



Connection tips

- Before making any connections, turn off the power to all components.
- It is not required to connect the components using both S-VIDEO and component video connectors. To obtain the best possible playback picture on the TV monitor, connect the component using the component video connectors. However, to use the LINK function (P. 20), it is required to connect the playback components through the S-VIDEO connectors.
- If both the S-VIDEO and component video connectors are connected between the components, the incoming signals are emitted through the respective output connectors. (P. 7 "Video input/output signals")
- Even though the playback components and the TV monitor are connected through the different type of video connectors (S-VIDEO/component video), you can watch the playback picture. (P. 7 "Video input/output signals")
- The INPUT ① and INPUT ② connectors are used for connecting the playback/recording components. Incoming signals from the INPUT ① and INPUT ② connectors are emitted through the MONITOR OUT connectors and at the same time...
 - Signals from the INPUT ① connectors are emitted through the OUTPUT ② connectors.
 - Signals from the INPUT ② connectors are emitted through the OUTPUT ① connectors.
- The INPUT ③ and ④ connectors are used only for connecting the playback components. Incoming signals from these connectors are emitted through all the output connectors at the same time. DO NOT connect the input connectors of the components connected to these connectors to any of the output connectors of the JX-S333.



- When you want to watch a video on another VCR, press the SOURCE SELECT button to select the line number that the VCR is connected to.
- Using the LINK function, you can turn on and off the power to the JX-S333 by detecting the incoming S-video signals (see P. 20).

1. Press POWER (or STANDBY/ON on the main unit) to turn on the JX-S333.

- The STANDBY/ON indicator lights in green.



2. Press SOURCE SELECT "1" to select VCR1.

- The indicator lights in red.



- If the SOURCE SELECT "1" indicator on the JX-S333 is already lit, it is not required to press the SOURCE SELECT "1" button.

3. Turn the TV monitor on and select the input.

- Turn the TV monitor on and select the input connected to the MONITOR OUT connectors on the JX-S333.

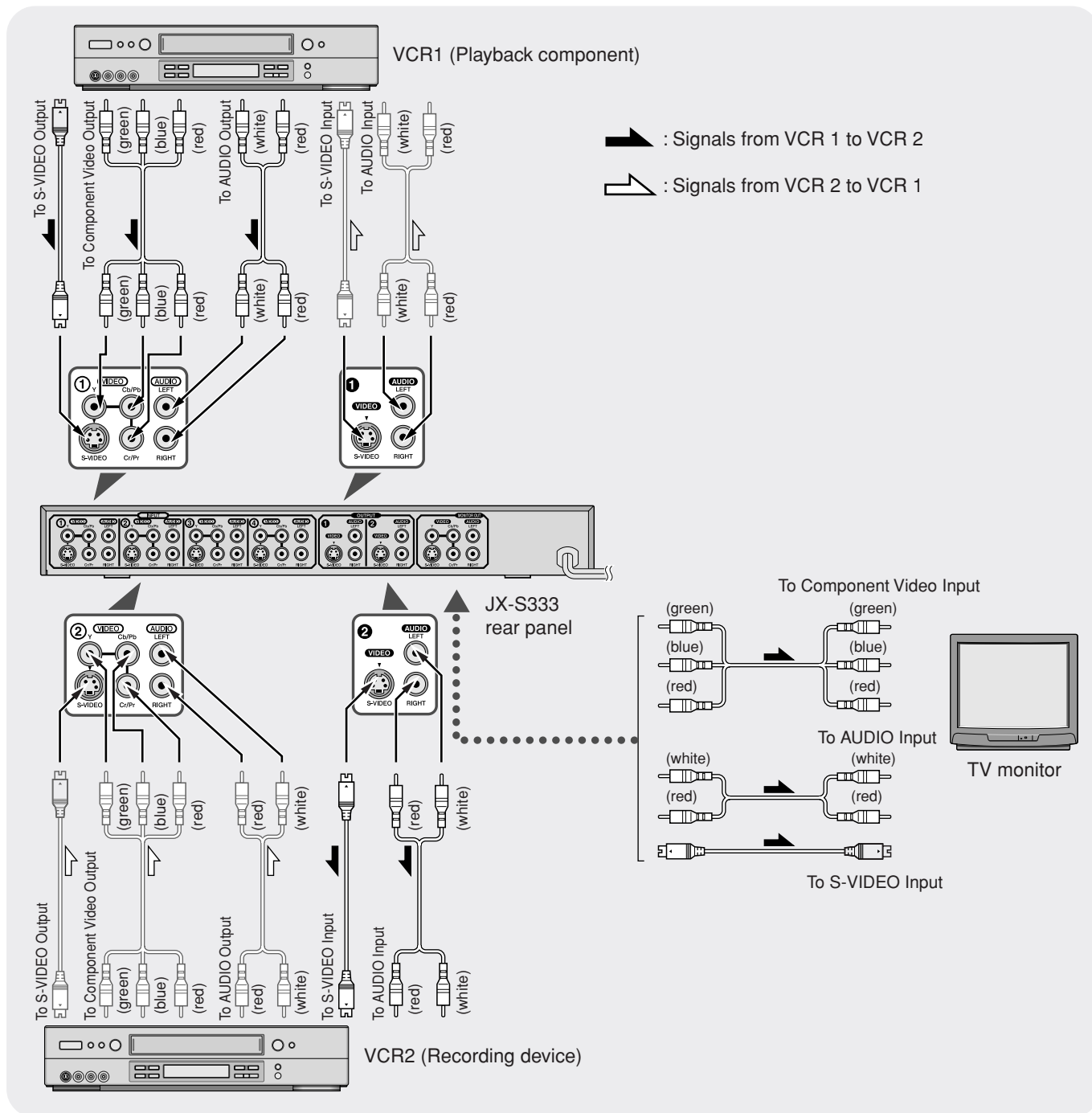
4. Turn on the VCR's power and start playback.



Dubbing (Multi-dubbing)

Do not connect the AC power cord until all other connections have been made.
You can dub a video program from VCR 1 to VCR 2 and vice versa.

This shows an example of several possible connections. Also refer to the instruction books of the other components you are using for operation and connection details.

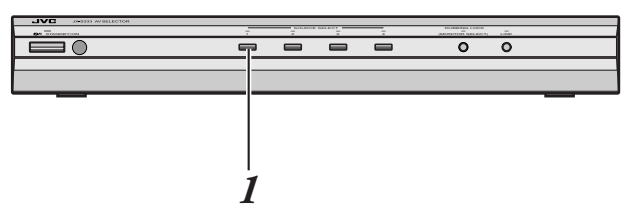
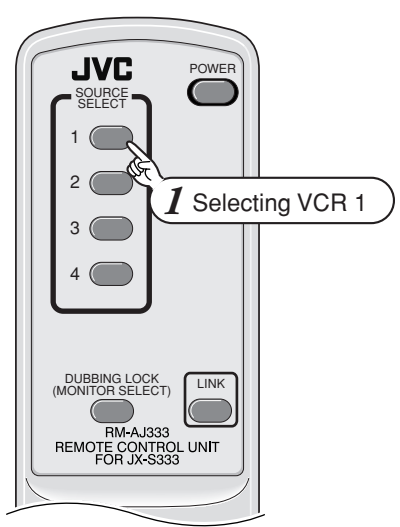


Connection tips

- Before making any connections, turn off the power to all components.
- It is not required to connect the components using both S-VIDEO and component video connectors. To obtain the best possible playback picture on the TV monitor, connect the component using the component video connectors. However, to dub the tapes, it is required to connect the playback components through the S-VIDEO connectors.
- If both the S-VIDEO and component video connectors are connected between the components, the incoming signals are emitted through the respective output connectors. (P. 7 "Video input/output signals")
- The INPUT ① and INPUT ② connectors are used for connecting the playback/recording components. Incoming signals from the INPUT ① and INPUT ② connectors are emitted through the MONITOR OUT connectors and at the same time...
 - Signals from the INPUT ① connectors are emitted through the OUTPUT ② connectors.
 - Signals from the INPUT ② connectors are emitted through the OUTPUT ① connectors.

Preparation

- Turn on the power to the JX-S333.
- Turn on the TV monitor and select the input connected to the MONITOR OUT connectors on the JX-S333.
- Turn on the power to VCRs to prepare for dubbing.



To prevent erroneous operation during dubbing, press the DUBBING LOCK button to activate the DUBBING LOCK function (P. 19).

1. Press SOURCE SELECT "1" to select VCR1 as the source component.

- The indicator lights in red.

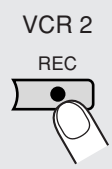


- If the SOURCE SELECT "1" indicator on the JX-S333 is already lit, it is not required to press the SOURCE SELECT "1" button.

2. Play back a tape on VCR 1.



3. Start recording on VCR 2.



Notes:

- Set the input switch on the recording VCR to the external input mode (AUX) when dubbing.
- Set the recording VCR to S-VIDEO input when using an S-VIDEO input connector for recording.

Notes:

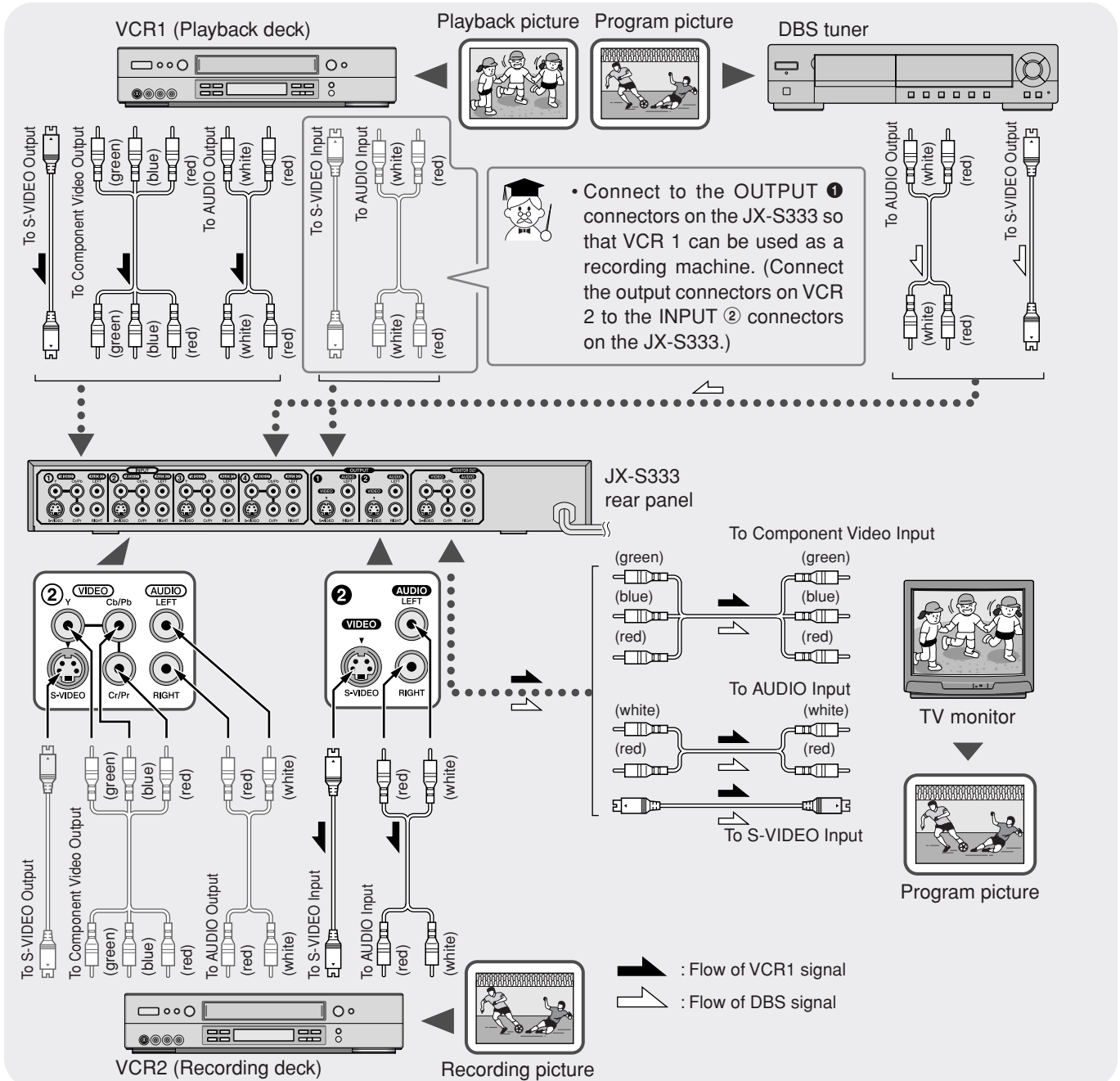
- Some video software may contain signals to prevent it from being copied. If you try to copy such a program, the results will not be viewable.
- Recording of copyrighted material for purposes other than personal use is illegal without permission of the copyright holder.

Watching a Video Program While Recording Another One (Dubbing Lock)

Do not connect the AC power cord until all other connections have been made. Connect the playback VCR (VCR 1) to the INPUT ①, and the recording VCR (VCR 2) to the OUTPUT ②. In addition, connect the DBS tuner to the INPUT ④.

• With these connections, you can dub a tape while watching the DBS program.

This shows an example of several possible connections. Also refer to the instruction books of the other components you are using for operation and connection details.

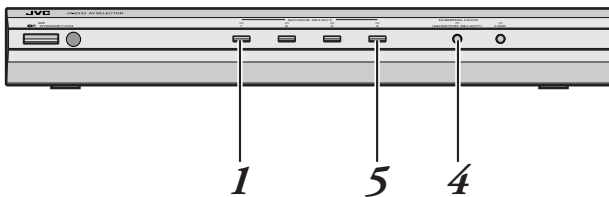
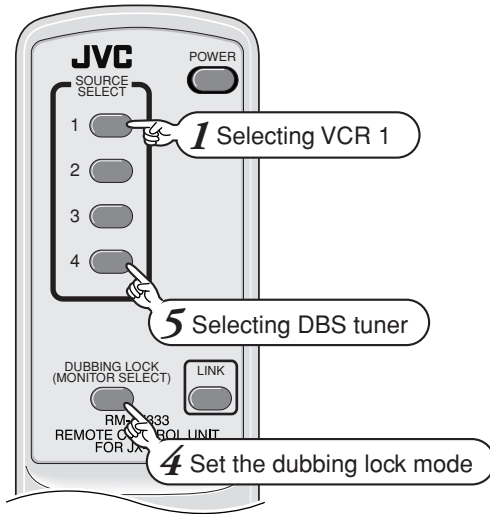


Connection tips

- Before making any connections, turn off the power to all components.
- The INPUT ① and INPUT ② connectors are used for connecting the playback/recording components. Incoming signals from the INPUT ① and INPUT ② connectors are emitted through the MONITOR OUT connectors and at the same time...
 - Signals from the INPUT ① connectors are emitted through the OUTPUT ② connectors.
 - Signals from the INPUT ② connectors are emitted through the OUTPUT ① connectors.
- The INPUT ③ and ④ connectors are used only for connecting the playback components. Incoming signals from these connectors are emitted through all the output connectors at the same time. DO NOT connect the input connectors of the components connected to these connectors to any of the output connectors of the JX-S333.
- It is not required to connect the components using both S-VIDEO and component video connectors. To obtain the best possible playback picture on the TV monitor, connect the component using the component video connectors. However, to dub the tapes, it is required to connect the playback components through the S-VIDEO connectors.

Preparation

- Turn on the power to the JX-S333.
- Turn on the TV monitor and select the input connected to the MONITOR OUT connectors on the JX-S333.
- Turn on the power to all other connected components.



To exit from dubbing lock mode:

- Press DUBBING LOCK again.



- When the input source is changed by pressing one of the SOURCE SELECT buttons in the dubbing lock mode, the video displayed on the TV monitor connected to the MONITOR OUT connectors can be changed without affecting the video being dubbed.

Note:

While the DUBBING LOCK function is activated, the power cannot be turned off and the LINK button does not work.

1. Press SOURCE SELECT "1" to select VCR1 as the source component.

- The indicator lights in red.



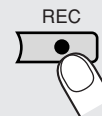
- If the SOURCE SELECT "1" indicator on the JX-S333 is already lit, it is not required to press the SOURCE SELECT "1" button.

2. Start playback of VCR1.

- The VCR1 playback video is displayed on the TV monitor screen.



3. Start recording of VCR2.



4. Press DUBBING LOCK to set the dubbing lock mode.

- The indicator lights in red.



5. Press SOURCE SELECT "4" to watch the video of the DBS.

- The SOURCE SELECT "4" indicator lights in red.
- The DBS video is displayed on the TV monitor screen.

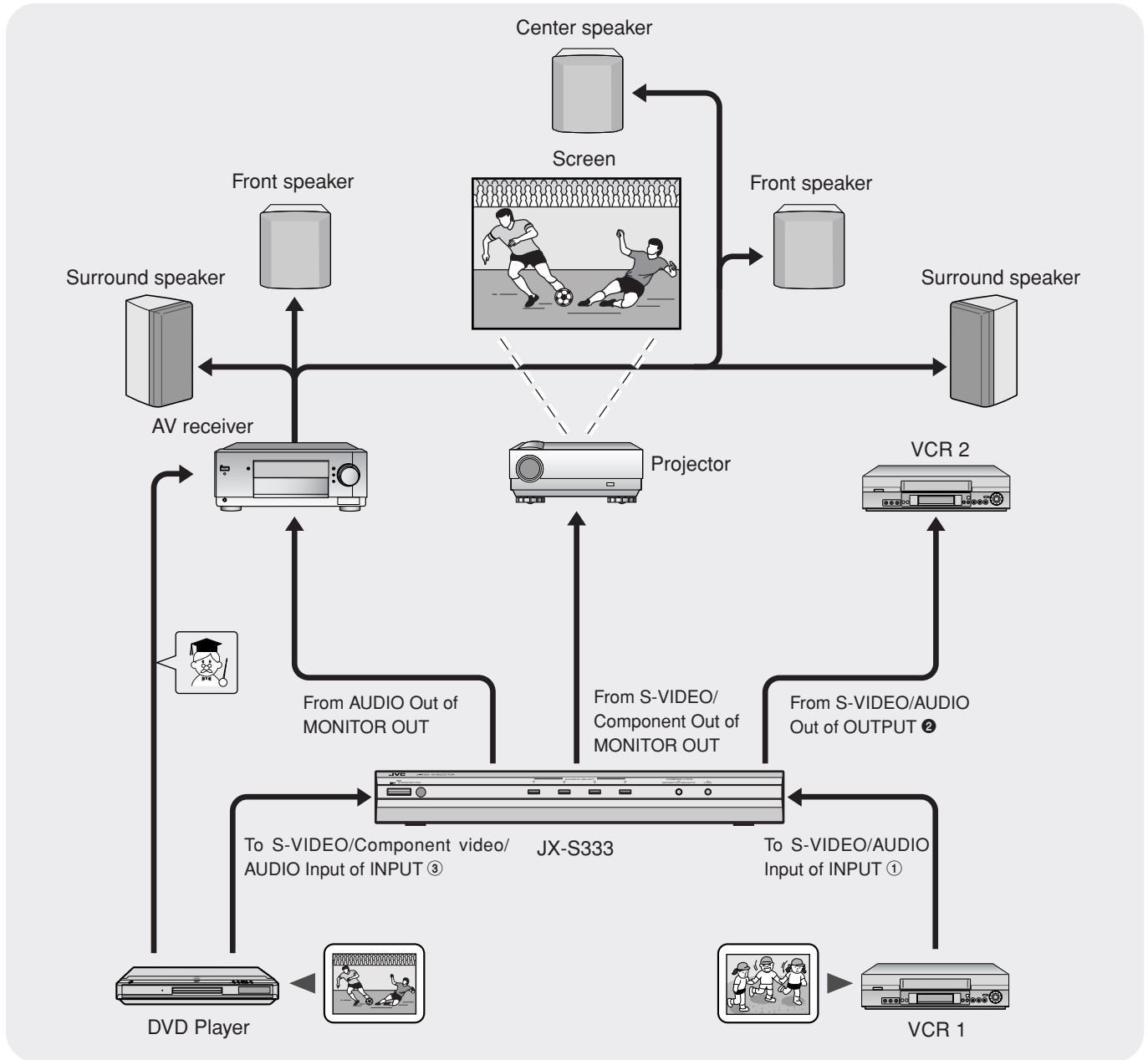


Centralized Management of Your Home Theater System

Do not connect the AC power cord until all other connections have been made.

You can watch the DVD playback picture through your home theater system while dubbing the tapes on the VCRs.

This shows an example of several possible connections. Also refer to the instruction books of the other components you are using for operation and connection details.



Connection tips

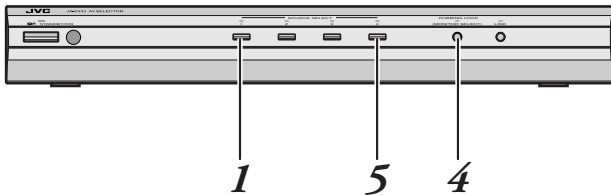
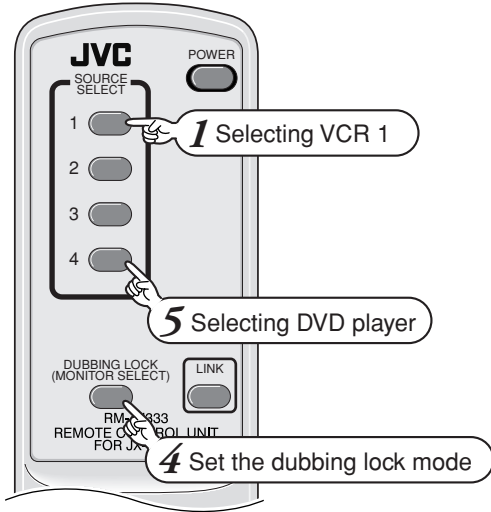
Before making any connections, turn off the power to all components.



In order to enjoy multi-channel surround sound through the DVD player, connect directly DVD player and the AV receiver through the digital audio connectors.

Preparation

- Turn on the power to the JX-S333.
- Turn on the TV monitor and select the input connected to the MONITOR OUT connectors on the JX-S333.
- Turn on the power to all other connected components.



To exit from dubbing lock mode:

- Press DUBBING LOCK again.



• When the input source is changed by pressing one of the SOURCE SELECT buttons in the dubbing lock mode, the video displayed on the TV monitor connected to the MONITOR OUT connectors can be changed without affecting the video being dubbed.

Notes:

- Some video software may contain signals to prevent it from being copied. If you try to copy such a program, the results will not be viewable.
- Recording of copyrighted material for purposes other than personal use is illegal without permission of the copyright holder.
- While the DUBBING LOCK function is activated, the power cannot be turned off and the LINK button does not work.

1. Press SOURCE SELECT "1" to select VCR1 as the source component.

- The indicator lights in red.



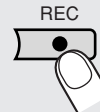
- If the SOURCE SELECT "1" indicator on the JX-S333 is already lit, it is not required to press the SOURCE SELECT "1" button.

2. Start playback of VCR1.

- The VCR1 playback video is displayed on the TV monitor screen.



3. Start recording of VCR2.



4. Press DUBBING LOCK to set the dubbing lock mode.

- The indicator lights in red.



5. Press SOURCE SELECT "3" to watch the playback picture through the DVD player.

- The SOURCE SELECT "3" indicator lights in red.
- The playback picture through the DVD player is displayed on the TV monitor screen.



Useful Tips

S-VIDEO input/output connectors

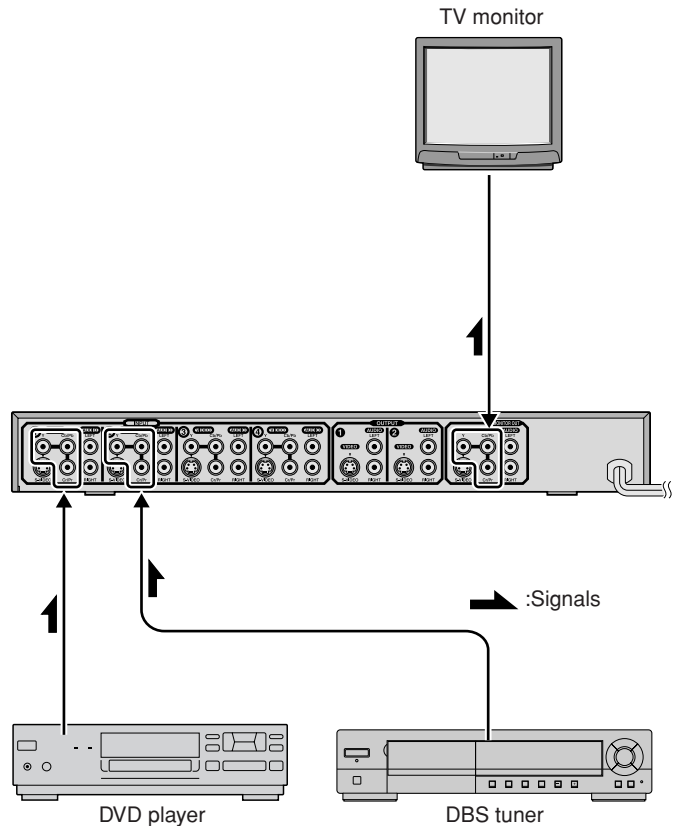
- The S-VIDEO input/output connectors are those for the Y/C (luminance/chrominance) separate video signals.
- If these connectors are connected to a VCR equipped with S-VIDEO connectors, recording and playback of clearer video becomes possible by reducing loss in the video signal.

Component connectors

- Component connection is recommended when connecting a DVD player or DBS tuner (equipped with component input connectors) to a TV monitor.

Since a DVD disc is encoded with a component video (Y color difference) signal format it can reproduce better quality color than the composite or S-video signal used in a VCR.

With a component connection, the signal encoded on a DVD disc can be output in its original form to maintain the highest quality picture.

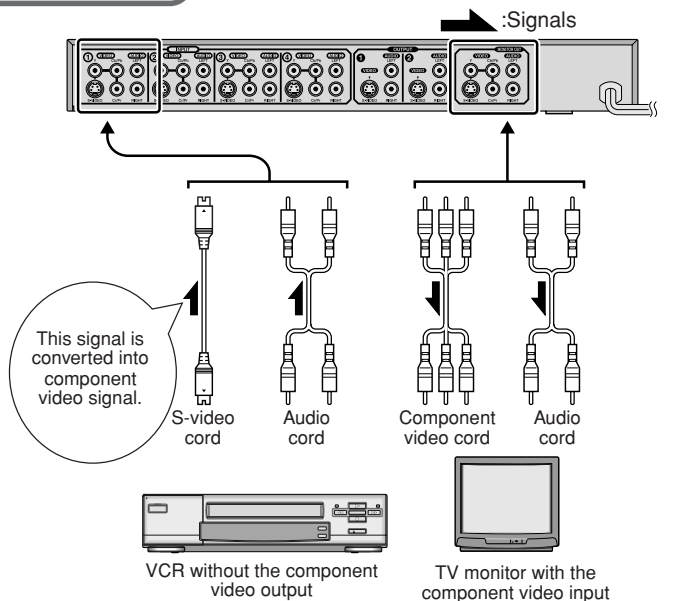


S-video to component video conversion

- JX-S333 is equipped with the S-video/component video conversion circuitry which converts the incoming S-video signals into component video signals and emits through all component video output connectors.

Notes:

- If both the S-VIDEO and component video connectors are connected between the components, the incoming signals are emitted through the respective output connectors. (P. 7 "Video input/output signals")
- The quality of the converted signals are equal to the original S-video signal quality. Conversion process never improve the picture quality.



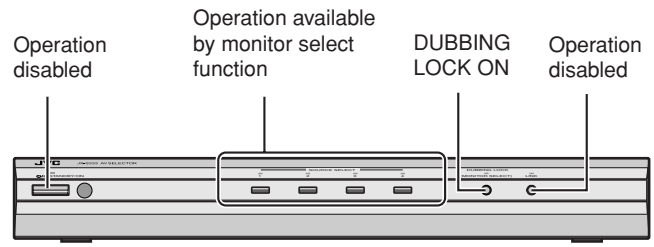
DUBBING LOCK function

- **DUBBING LOCK button**
Provides the dubbing lock function for prevention of accidental operational mistakes as well as a monitor select function for watching a video program while recording another.

Dubbing lock function

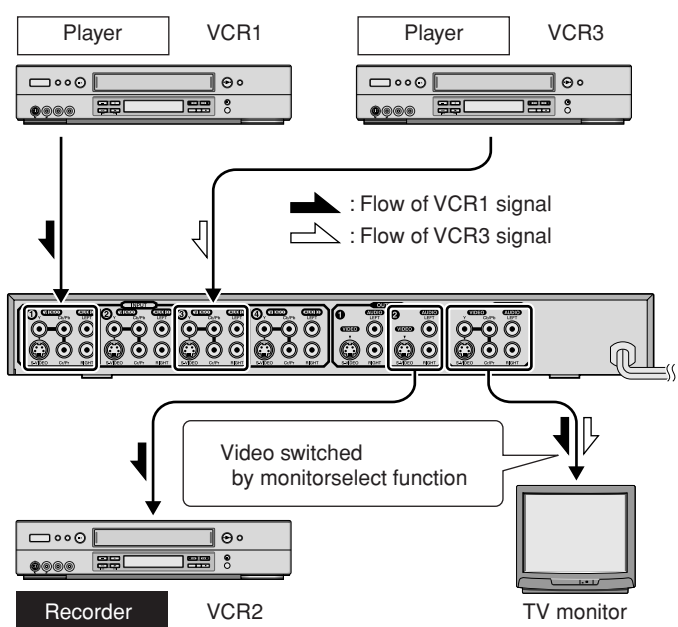
When the DUBBING LOCK button is pressed while the VCR for recording is in use, the POWER (⏻/STANDBY/ON) and LINK buttons are disabled.

Also, even when the SOURCE SELECT button is pressed by mistake, the dubbing lock function keeps the signal output from the output connectors so that the recording of the VCR can be continued.

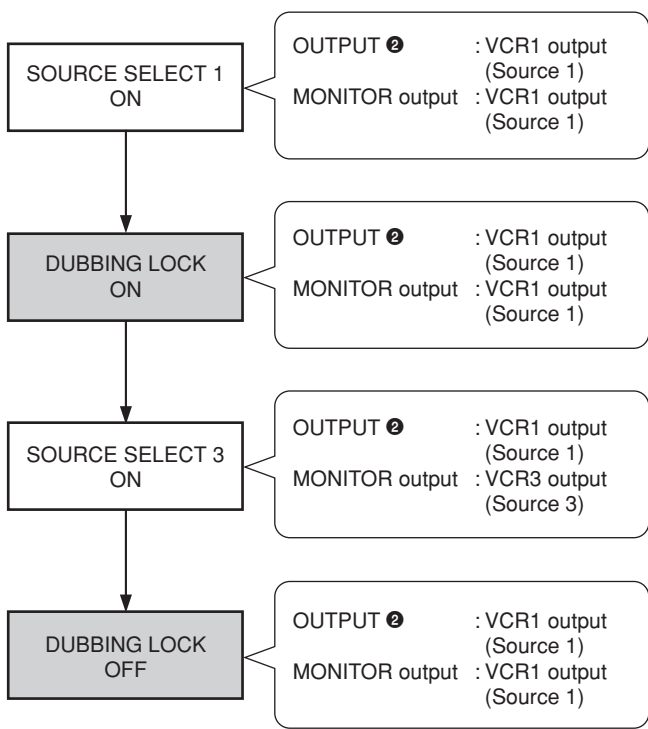


Monitor select function

This function is most often used in “watching a video program while recording another one”. Pressing the DUBBING LOCK button during recording sets the dubbing lock mode, the user can change the video displayed on the TV monitor screen by pressing one of the SOURCE SELECT buttons.
(The SOURCE SELECT “1” and “3” indicators light in red.)



Flow of monitor select function depending on the DUBBING LOCK button



LINK function

- Using the LINK function, you can turn on and off the power to the JX-S333 by detecting the incoming S-video signals. Therefore, it is not required to turn on the power to the JX-S333 manually.

How to set the function

- 1 Press one of the SOURCE SELECT buttons for which you can set this function.
- 2 Press LINK to activate the LINK function for the selected playback component.
The LINK indicator lights in red.

To cancel the function, press LINK again.
The LINK indicator goes off.

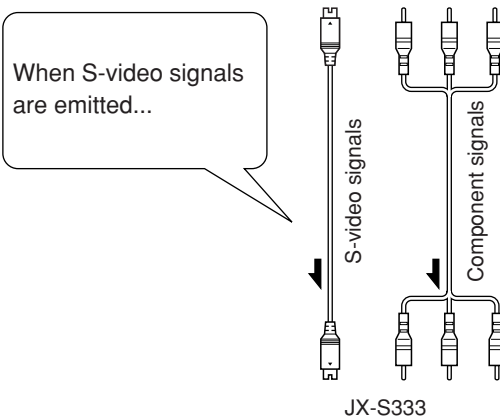
How the function actually works

When the JX-S333 detects incoming signal through the playback source for which the LINK function is activated, the power comes on automatically.

When incoming signal stops, the power goes off.

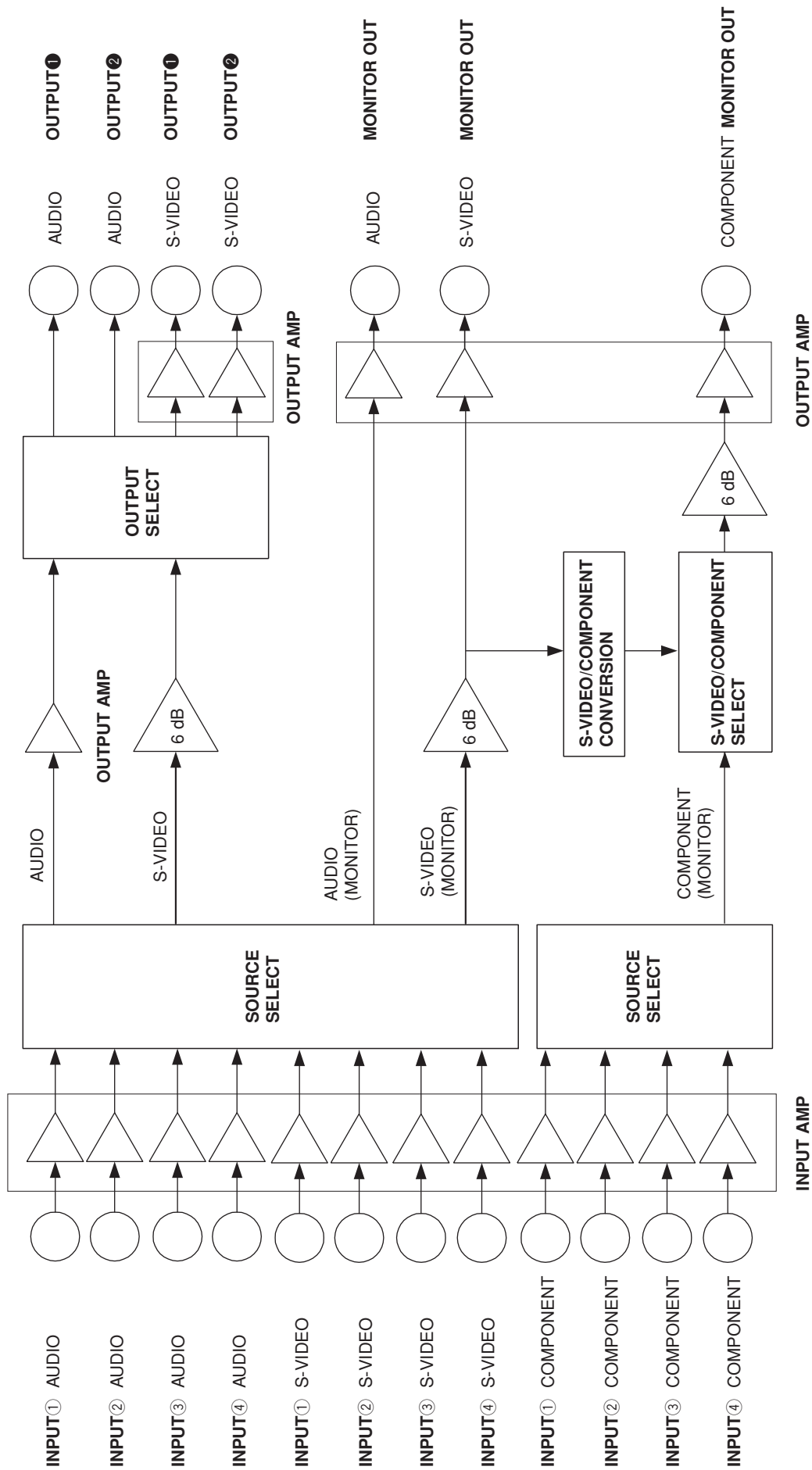
Notes:

- To use the LINK function, the playback components should be connected to the JX-S333 using the S-VIDEO connectors. If connected using the component video connectors, this does not function.
- If you do not use the LINK function, deactivate the function by pressing LINK (the indicator goes off), then turn on the power to the JX-S333.
To activate the function, press LINK again.
- While the DUBBING LOCK function is in use, the LINK button does not work.
To cancel the LINK function, first cancel the DUBBING LOCK function.



JX-S333 automatically turns on by detecting the incoming S-video signals.
(When the signals stop, the power also turns off.)

Block Diagram



Troubleshooting

- The JX-S333 incorporates a microcomputer, which may malfunction due to external interference or noise. If this trouble cannot be resolved by checking the items in the following table, reset the microcomputer by turning off the JX-S333, unplugging its power cord from the wall outlet, plugging it in again and then checking the operation.

	Symptom	Cause	Remedy	Page
Power	No power.	<ul style="list-style-type: none"> • Is the power cord disconnected from the AC outlet? 	<ul style="list-style-type: none"> • Insert the power plug firmly into the AC outlet. 	—
	Unit cannot be turned OFF.	<ul style="list-style-type: none"> • Make sure that the DUBBING LOCK function is set to ON. 	<ul style="list-style-type: none"> • Press the POWER button after setting the DUBBING LOCK function OFF. 	19
	Power goes off soon after it has been turned on.	<ul style="list-style-type: none"> • Is the LINK function activated? 	<ul style="list-style-type: none"> • Turn on the playback component for which the LINK function is activated. Then deactivate the function. 	20
Playback	Required picture won't appear.	<ul style="list-style-type: none"> • Is the required video component connected to the corresponding INPUT/OUTPUT connectors correctly? 	<ul style="list-style-type: none"> • Check the connections again and reconnect correctly. 	10, 14
		<ul style="list-style-type: none"> • Is the TV monitor connected to the MONITOR OUT connectors correctly? 	<ul style="list-style-type: none"> • Check the connections again and reconnect correctly. 	10, 14
Recording	No picture recorded on the edited tape.	<ul style="list-style-type: none"> • Are the playback and recording VCRs connected correctly to the INPUT/OUTPUT connectors? Also, is the correct SOURCE SELECT button selected? 	<ul style="list-style-type: none"> • Check the connections again and reconnect correctly before selecting the correct SOURCE SELECT button. 	12, 13
		<ul style="list-style-type: none"> • Is the DUBBING LOCK function set? 	<ul style="list-style-type: none"> • Press DUBBING LOCK to OFF before pressing a SOURCE SELECT button. 	15, 17
		<ul style="list-style-type: none"> • Is the input select switch on the recording VCR set to the "AUX" position? 	<ul style="list-style-type: none"> • Set the input select switch on the recording VCR to "AUX". 	13
		<ul style="list-style-type: none"> • Is the video input select switch on the recording VCR with S-VIDEO connectors set to the "S-VIDEO IN" position or "VIDEO input" position? 	<ul style="list-style-type: none"> • Set the video input switch on the recording VCR to the correct position. 	13
			<ul style="list-style-type: none"> • Some video software may contain signals to prevent it from being copied. If you try to copy such a program, the results will not be viewable. 	—
	Dubbing operations are not possible when using equipment connected to the component connector.	<ul style="list-style-type: none"> • Are the S-VIDEO connectors also connected? 	<ul style="list-style-type: none"> • Component video signals cannot be converted into S-video signals. Connect the components using the S-VIDEO connectors for dubbing. 	12, 14
	No sound recorded on the edited tape.	<ul style="list-style-type: none"> • Are the video components etc. connected to the AUDIO input connectors correctly? 	<ul style="list-style-type: none"> • Check the connections again and reconnect correctly. 	12, 14

	Symptom	Cause	Remedy	Page
Watching	No picture displayed on TV monitor.	• Is the SOURCE SELECT button for the source component selected correctly?	• Check the pressed SOURCE SELECT button and press the correct button.	10
		• Is the TV monitor connected properly to the MONITOR OUT connector?	• Check the connection and connect it properly.	10
• Is the TV monitor's input selector set correctly?		• Check the TV monitor's input selector.	11	
	No picture displayed on TV monitor with component input.	• Is a TV monitor with a component input connected and set correctly?	• Check the component input connection by referring to the TV monitor's instruction manual.	10, 12 14, 16
Other	The LINK function does not work.	• Are the S-VIDEO connectors connected?	• Connect the components using the S-VIDEO connectors to use the LINK function.	20
	Remote control not working.	• Are the remote control batteries exhausted? • Are the batteries inserted with correct polarity (⊕ and ⊖)?	• Replace both batteries with new ones. • Insert them correctly.	9 9

Specifications

Design and specifications subject to change without notice.

Product name	AV selector
Input/output connectors	Inputs: 4 lines (Component, S-VIDEO, AUDIO L/R) x 4 Outputs: 2 lines (S-VIDEO, AUDIO L/R) x 2 Monitor outputs: 1 line (Component, S-VIDEO, AUDIO L/R) x 1
Video inputs	Reference level <ul style="list-style-type: none"> • S-VIDEO Y: Vp-p = 1.0 V (75 Ω) <li style="padding-left: 20px;">C: Vp-p = Burst 0.286 V/ Cyan 0.642 V (75 Ω) • Component signals <li style="padding-left: 20px;">Y: Vp-p = 1.0 V (75 Ω) <li style="padding-left: 20px;">Cb/Pb: Vp-p = 0.7 V (75 Ω) <li style="padding-left: 20px;">Cr/Pr: Vp-p = 0.7 V (75 Ω)
	Maximum input <ul style="list-style-type: none"> • S-VIDEO V: Vp-p = 1.5 V (75 Ω) <li style="padding-left: 20px;">C: Vp-p = Burst 0.429 V/ Cyan 0.963 V (75 Ω) • Component signals <li style="padding-left: 20px;">Y: Vp-p = 1.5 V (75 Ω) <li style="padding-left: 20px;">Cb/Pb: Vp-p = 1.05 V (75 Ω) <li style="padding-left: 20px;">Cr/Pr: Vp-p = 1.05 V (75 Ω)
Video outputs (Reference level)	<ul style="list-style-type: none"> • S-VIDEO Y: Vp-p = 1.0 V (75 Ω) <li style="padding-left: 20px;">C: Vp-p = Burst 0.286 V/ Cyan 0.642 V (75 Ω) • Component signals <li style="padding-left: 20px;">Y: Vp-p = 1.0 V (75 Ω) <li style="padding-left: 20px;">Cb/Pb: Vp-p = 0.7 V (75 Ω) <li style="padding-left: 20px;">Cr/Pr: Vp-p = 0.7 V (75 Ω)
Video crosstalk	50 dB or more (45 dB or more between Y/C and Y/Pb/Pr in the same channel)
Video S/N ratio	50 dB or more
Video frequency response	S-VIDEO: 10 MHz, Component signals: 30 MHz
Audio inputs	Reference level: -10 dBV (47 kΩ) Maximum level: +6 dBV (1 kHz, 1% distortion)
Audio outputs	-10 dBV (with reference input, 1 kHz)
Audio crosstalk	80 dB or more (1 kHz)
Audio S/N ratio	80 dB or more
Audio frequency response	5 Hz to 50 kHz
Distortion	Less than 0.03% (with reference input, 1 kHz)
Power requirements	AC 120 V ~, 60 Hz
Power consumption	6 W (less than 2.0 W in standby mode)
Dimensions	(W) 435 mm x (H) 64 mm x (D) 282 mm (including knobs, jacks, and feet) (17-3/16" x 2-9/16" x 11-1/8")
Main body weight	2.4 kg (5.3 lbs)
Accessories	Remote control unit (RM-AJ333), "AA" (R6/UM-3) battery x 2 (for operation testing)

Glossary / Index

Multi-dubbing

Capability of using more than one VCR for dubbing by selecting any of them as the player and recorder.

S-VIDEO signal

Signal obtained by separating the composite video signal into the luminance and chrominance signals. This makes the video clearer with fewer blurs in the colors.

Composite video signal

Signal composed of the luminance (Y) and chrominance (C) signals of the S-Video signals.

Component connectors

Means for transmission of high-quality video signals (Y/Pb/Pr and Y/Cb/Cr) from a DVD player, etc. to a high-performance video monitor without interference between the signal components.

Terms

A

AUDIO 10, 12, 14

C

Component connectors 10, 12, 14

D

DUBBING LOCK 15, 17, 19

L

LINK 20

M

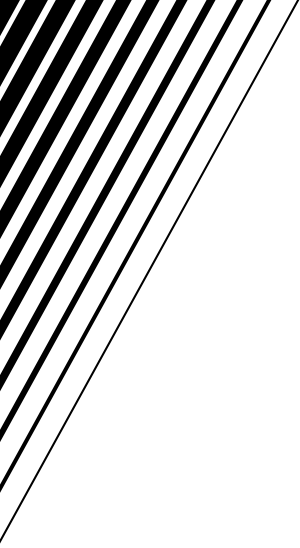
Multi-dubbing 12

S

STANDBY 6

SOURCE SELECT 11, 13, 15, 17

S-video signal 10, 12, 14



JVC

